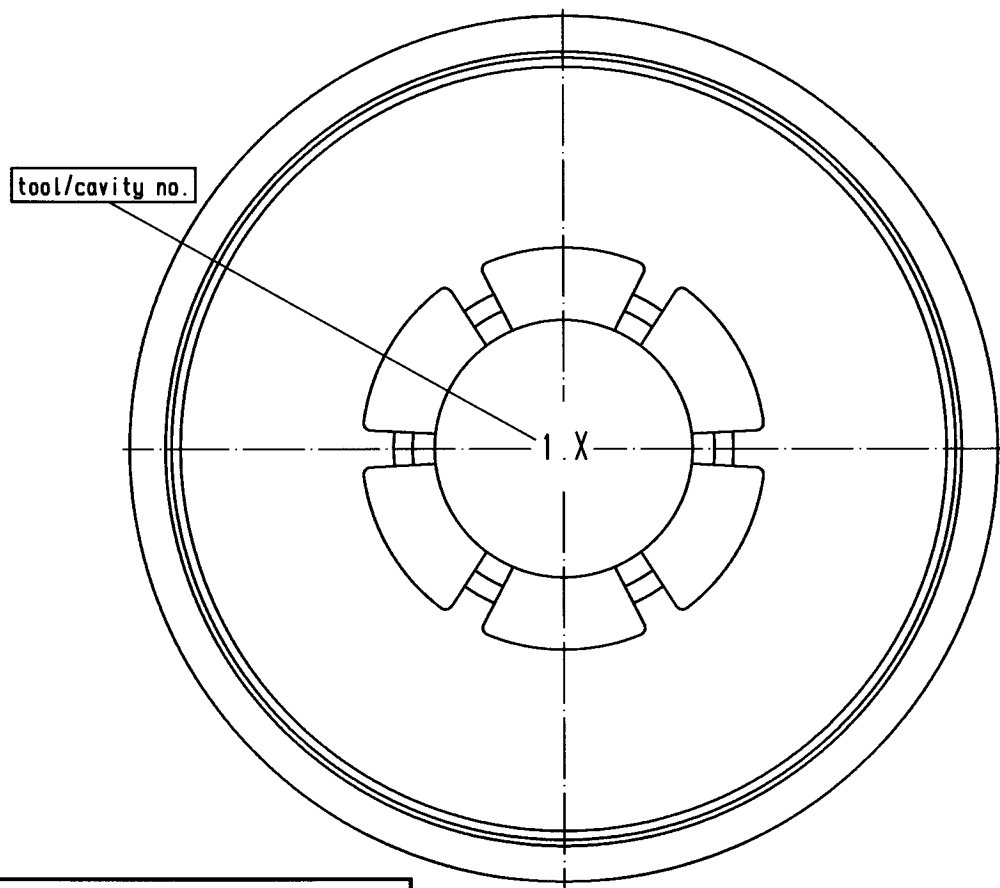
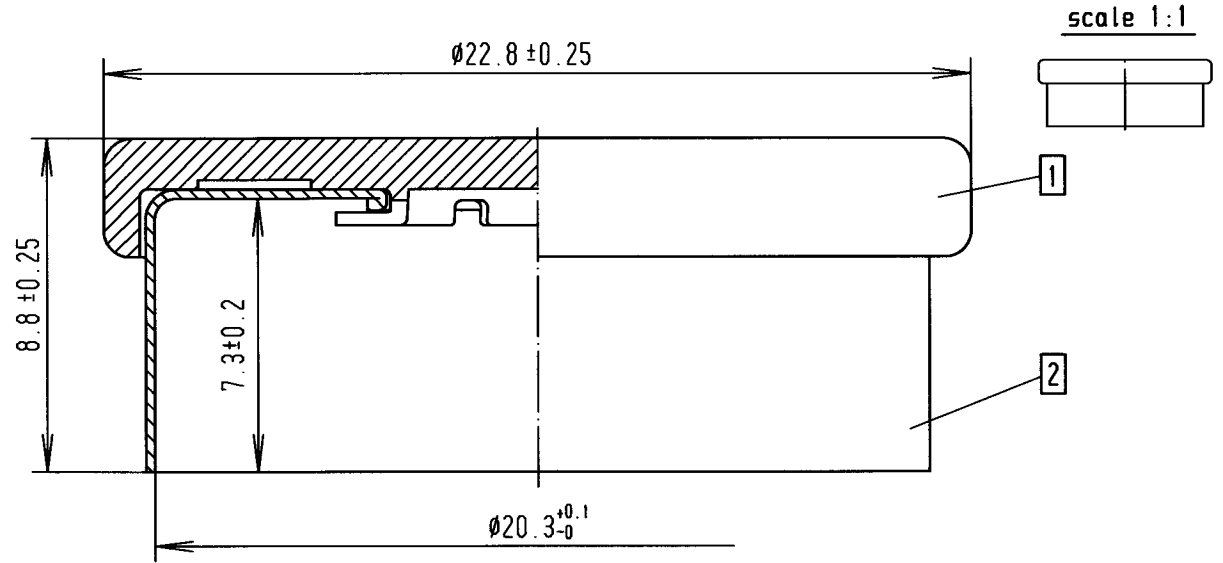


DESCRIPTION: Flip cap CUSTOMER DRAWING PRODUCT NUMBER: FC20.0016
 Product Number old: KK2027



B
PP and recycle marks might be present

PARTS LIST	pos.	ref.no.	description	material	remarks	MODIFICATION	index	modification	date	name
1	PD20.0003	plastic disc	PP		A	total revision	11.04.05	Gilpert		

DRAWING	TRACED: Gilpert DATE: 02.07.12 CHECKED DATE 02.07.12 SIGNATURE: <i>Franklin</i> SCALE: 5:1, 1:1
	DERIVED FROM DRAWING KK2027 DATED 29.11.96 FILE-REF. (CAD-no.) A419K PROJECTION:
	REPLACES PRODUCT DRAWING ----- DATED ----- MATERIAL: -----
VALIDITY	VALID DATE 02.07.2012 AUTHORIZED by E. ROOS SIGNATURE <i>E. Roos</i>

Printed copies are not automatically updated !

This drawing is the property of Datwyler and may not be copied nor disclosed to third parties without our written consent. Dimensions without tolerance indication correspond to ISO 2768 m. Cut or punched edges can be slightly conical, excentric and/or variable.