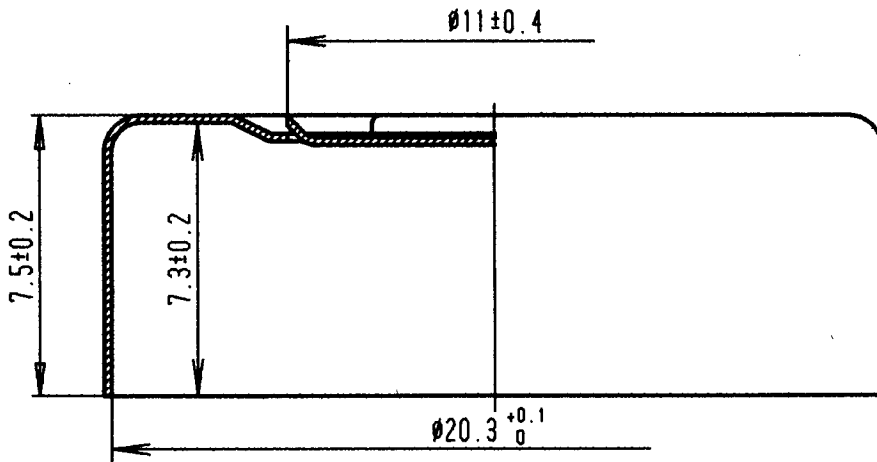
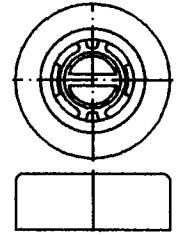
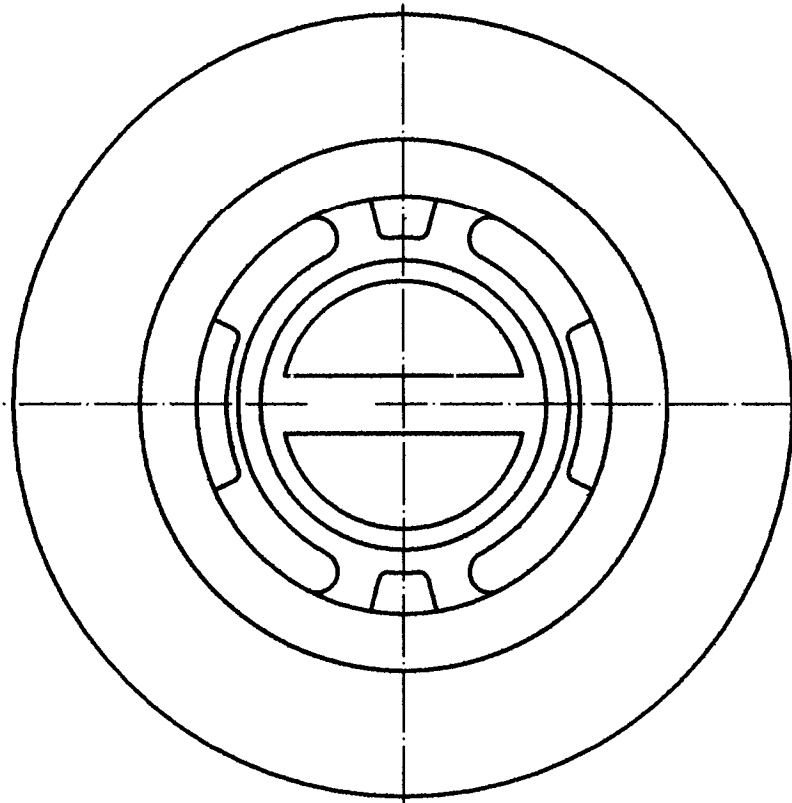
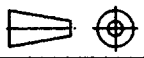


DESCRIPTION: All alu-cap	CUSTOMER DRAWING	PRODUCT NUMBER: CT020.0003 Product Number old: AM2013
--------------------------	------------------	--

scale 1:1



PARTS LIST	pos.	ref.no.	description	material	remarks	MODIFICATION	index	modification	date	name
							B	general revision	08.08.05	Amschl.
						A	total revision	29.03.05	Gilpert	
DRAWING	TRACED: Gilpert DATE: 29.03.05 CHECKED DATE 10.08.05 SIGNATURE: <i>[Signature]</i> SCALE: 5:1, 1:1						PROJECTION: 			
	DERIVED FROM DRAWING AM2013 (HPD) DATED 21.05.02 FILE-REF. (CAD-no.) A285K						REPLACES PRODUCT DRAWING ----- DATED ----- MATERIAL: AL (0.20±0.02)			
VALIDITY	VALID DATE 10.08.05			AUTHORIZED by <i>[Signature]</i>		SIGNATURE <i>Amschlunger</i>				

Printed Copies will be not automatically updated !