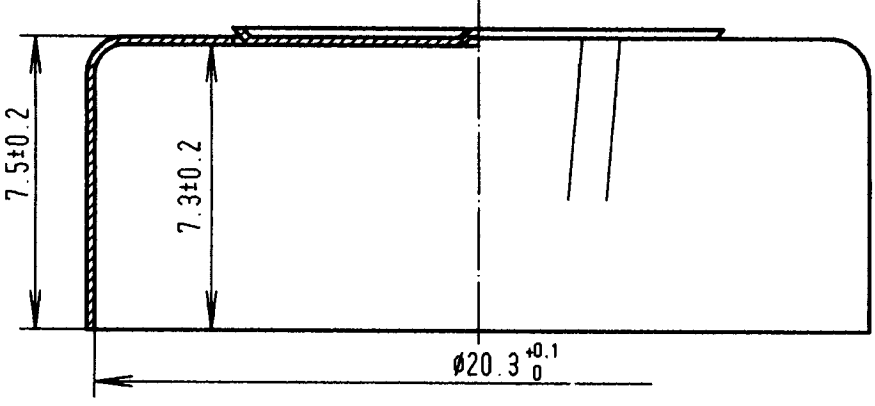
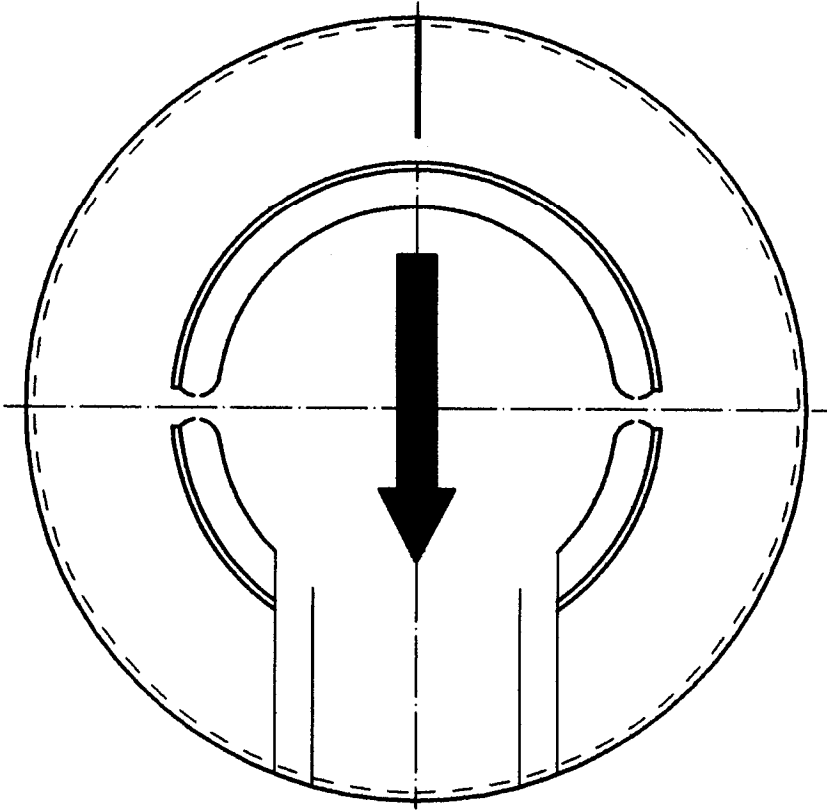




DESCRIPTION: All alu-cap	CUSTOMER DRAWING	PRODUCT NUMBER: ST020.0004 Product Number old: AG2000
--------------------------	------------------	--

scale 1:1



PARTS LIST						MODIFICATION	B	general revision	20.07.05	Gilpert
							A	total revision	26.10.04	Gilpert
	pos.	ref.no.	description	material	remarks	index	modification	date	name	
DRAWING	TRACED: Gilpert DATE: 26.10.04 CHECKED DATE 08.09.05 SIGNATURE: <i>[Signature]</i> SCALE: 5:1, 1:1									
	DERIVED FROM DRAWING AG2000 (HPD) DATED 18.12.96 FILE-REF. (CAD-no.) A110K							PROJECTION:		
	REPLACES PRODUCT DRAWING -----			DATED -----		MATERIAL: AL (0.20±0.02)		 		
VALIDITY	VALID DATE 15.08.05					AUTHORIZED by <i>[Signature]</i>		SIGNATURE <i>[Signature]</i>		

This drawing is the property of Datwyler and may be not be copied nor disclosed to third parties without our written consent.  
Dimensions without tolerance indication correspond to ISO 2768 m. Cut or punched edges can be slightly conical, excentric and/or variable.

Printed Copies will be not automatically updated!