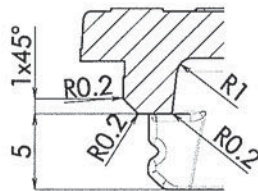
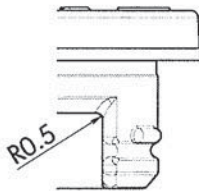
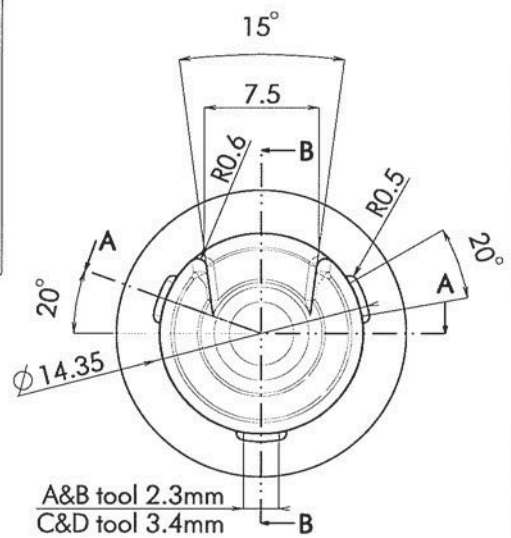
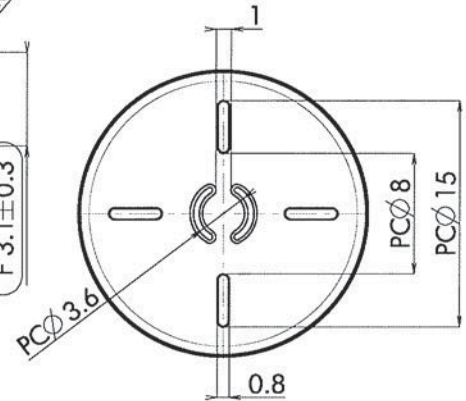
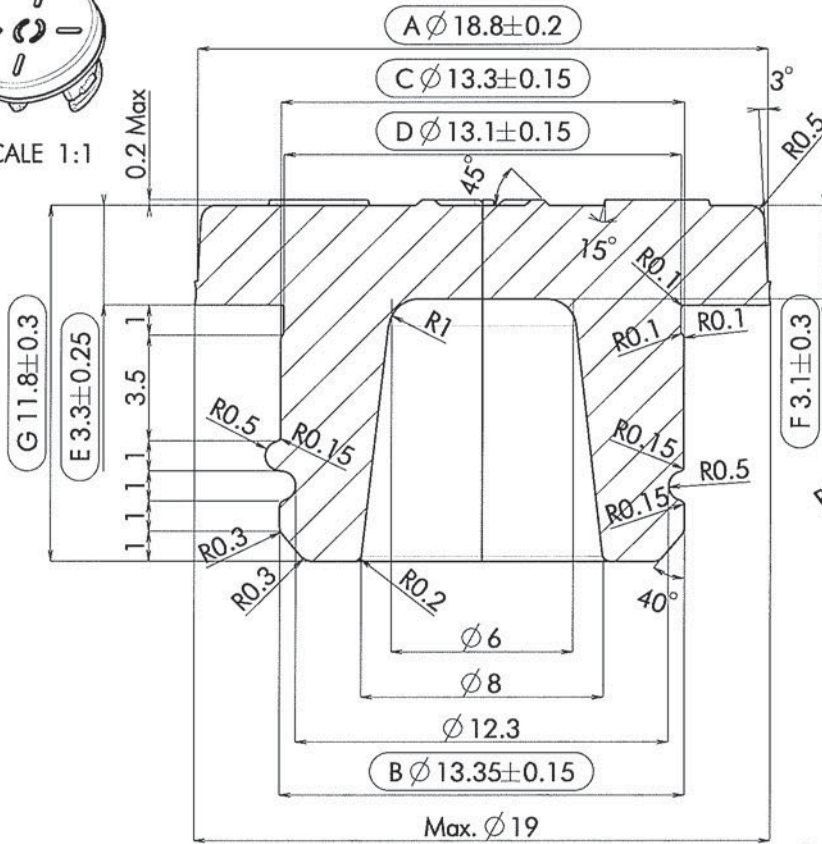


LYO-STOPPER
PRODUCT NUMBER
V9172


SCALE 1:1



SECTION B-B

 Drawing units are in mm
 All edges not specified: R0.2mm (.008inch)

MODIFICATIONS	NR	OBJECTS OF MODIFICATION	DATE	TRACED	CHECKED	AUTHORIZED						
	3	Added lug width deviation	Dec 23,'10	DLEU								
	2	Converted to new drw-format	May 21,'10	PD								
DRAWING	TRACED	TCUY	DATE	Apr 01,'10	CHECKED	December 2010	INITIALS		FILE REF.	-	SCALE	2:1
	DERIVED FROM DRAWING			-	DATED	-	PROJECTION					
	REPLACES PRODUCT DRAWING			V9172	DATED	June 23,'10						
VALIDITY	VALID FROM		Jan 03, 2011		AUTHORIZED BY		BSON		SIGNATURE			

This drawing is the property of Datwyler and may not be copied nor disclosed to third parties without our written consent.
 Dimensions without tolerance indication correspond to DIN-ISO 3302 Class M3. Cut or punched edges can be slightly conical, excentric and/or variable.

Printed copies will not be systematically updated