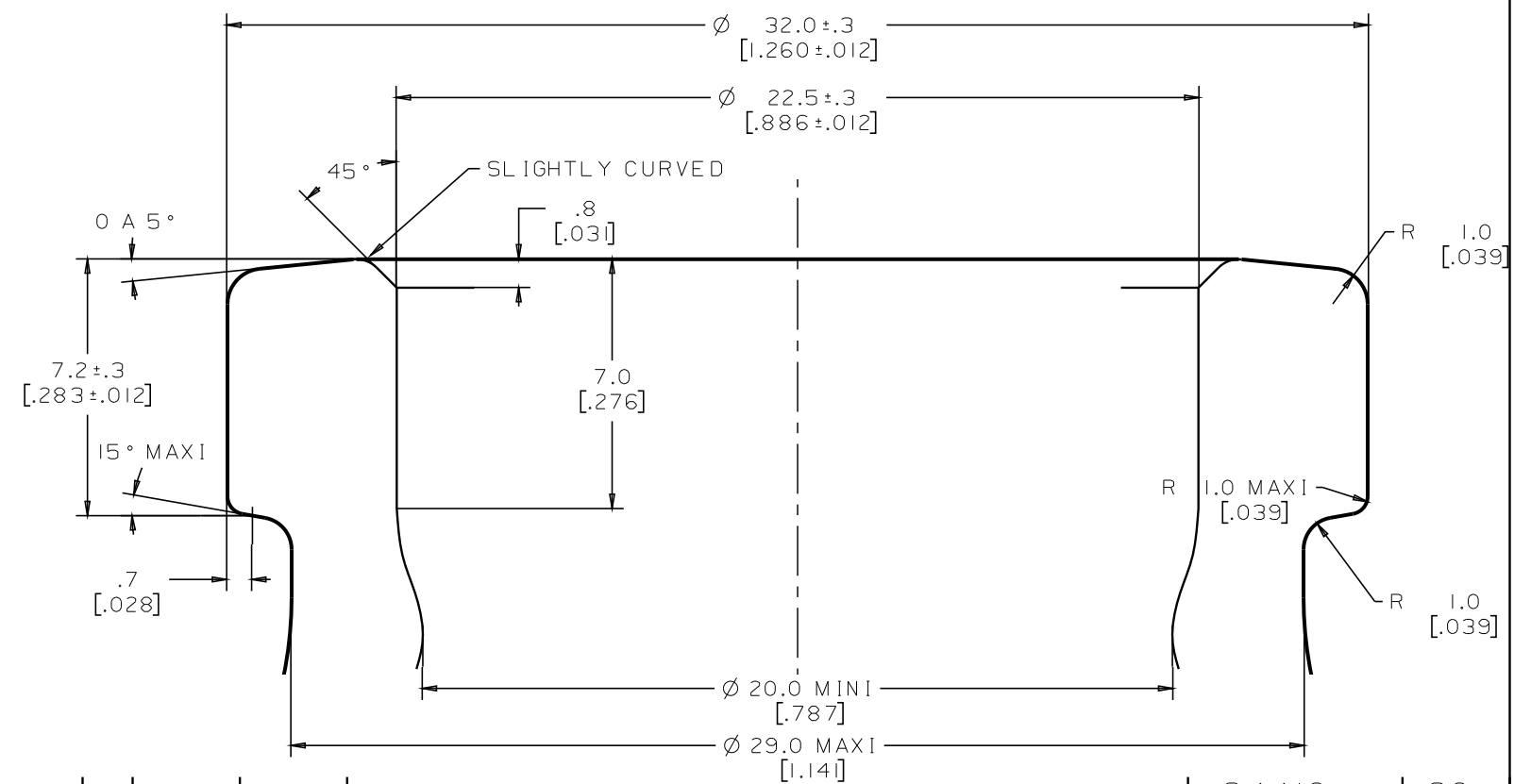


NECK FINISH DETAIL SCALE 5/1



I	27-03-19	C.P.	PLAN AND NECK FINISH NAME MODIFICATION	34412	32
H	10-03-15	C.P.	ENGRAVING BOTTOM	34412	32
G	11-01-11	T.C.	SUPPRESS MARK OF MANUFACTURE	34412	32
F	04-11-10	T.C.	WEIGHT REGULARISATION	34412	32
E	02-10-09	T.C.	CHANGE ENGRAVING BOTTOM , AND INDEX	34412	32
REP	DATE	NOTE	MODIFICATIONS	MOULD NO	INDEX
NECK FINISH 32			APPROX. WEIGHT : 280 ± 20 GRAMMES	MOULD	
\varnothing OPENING: 22.5 ± 0.3 ON 7 MM DEPTH			BRIMFUL CAPACITY : 588 cc ± 8 cc	34412	
\varnothing I DIMENSION MIN : 20					



THIS DRAWING IS THE PROPERTY OF SGD AND CANNOT BE COPIED OR COMMUNICATED WITHOUT AUTORIZATION

INFUSIONSFLASCHE 500 ML ALLEGE

MACHINE :

DATE : 13-01-82

E.D. 41669

0	0	0
0	0	0
0	0	0