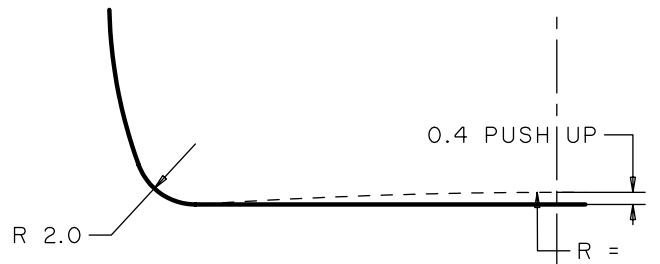
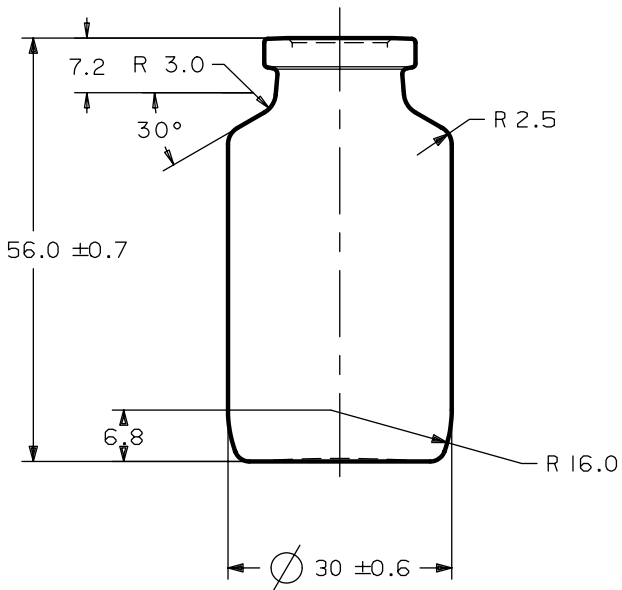



MOULD N° HGT 2.0 MM IN BAFFLE



E
D
C
B
O	16-04-10	IC	.	.	20563	02
REP	DATE	NOTE	MODIFICATIONS		MOULD NO	INDEX
NECK FINISH ISO 8362-4			APPROX. WEIGHT : 22		GRAMMES	
Ø OPENING : 12.4 MINI SUR 7.5 MM 12.8 MAXI DN 1 MM DEPTH			BRIMFUL CAPACITY : 24		cc ± 1.3 cc	
Ø 1 DIMENSION MIN : 11.5					MOULD 20563	
 THIS DRAWING IS THE PROPERTY OF SGD AND CANNOT BE COPIED OR COMMUNICATED WITHOUT AUTORIZATION			EASYLYO 20 ML		MACHINE : 400	
					DATE : 16-04-2010	
					PF	0
78029	