

Vial 50ml EasyLyo in molded glass type 1 in tray

SGD Pharma reference:

- Flint version : 20560 80 006
- Amber version : 20560 80 008

1. Vials specification

Technical drawing: **Appendix 1**

Reference	20560
Nominal capacity	50 ml
Brimful capacity	58 ml
Neck Finish	ISO 20
Weight	49 g
Height	68.5 mm
∅	42.5 mm

2. Tray Specification

Primary packaging type	TRAY
Material	Tray: Polypropylene (PP) Tray sheet: PE-HD fibers (Tyvek®) Tray lid: PE-HD fibers and thermosetting adhesive (Tyvek®)
Net weight	1.37 kg
Gross weight	1.63 kg
Vials per Tray	28
Tray per layer	2

3. Secondary packaging

Scheme: **Appendix 2**

Steribag

Material	PE-HD fibers (Tyvek [®]) / HDPE
Bag composition	Double

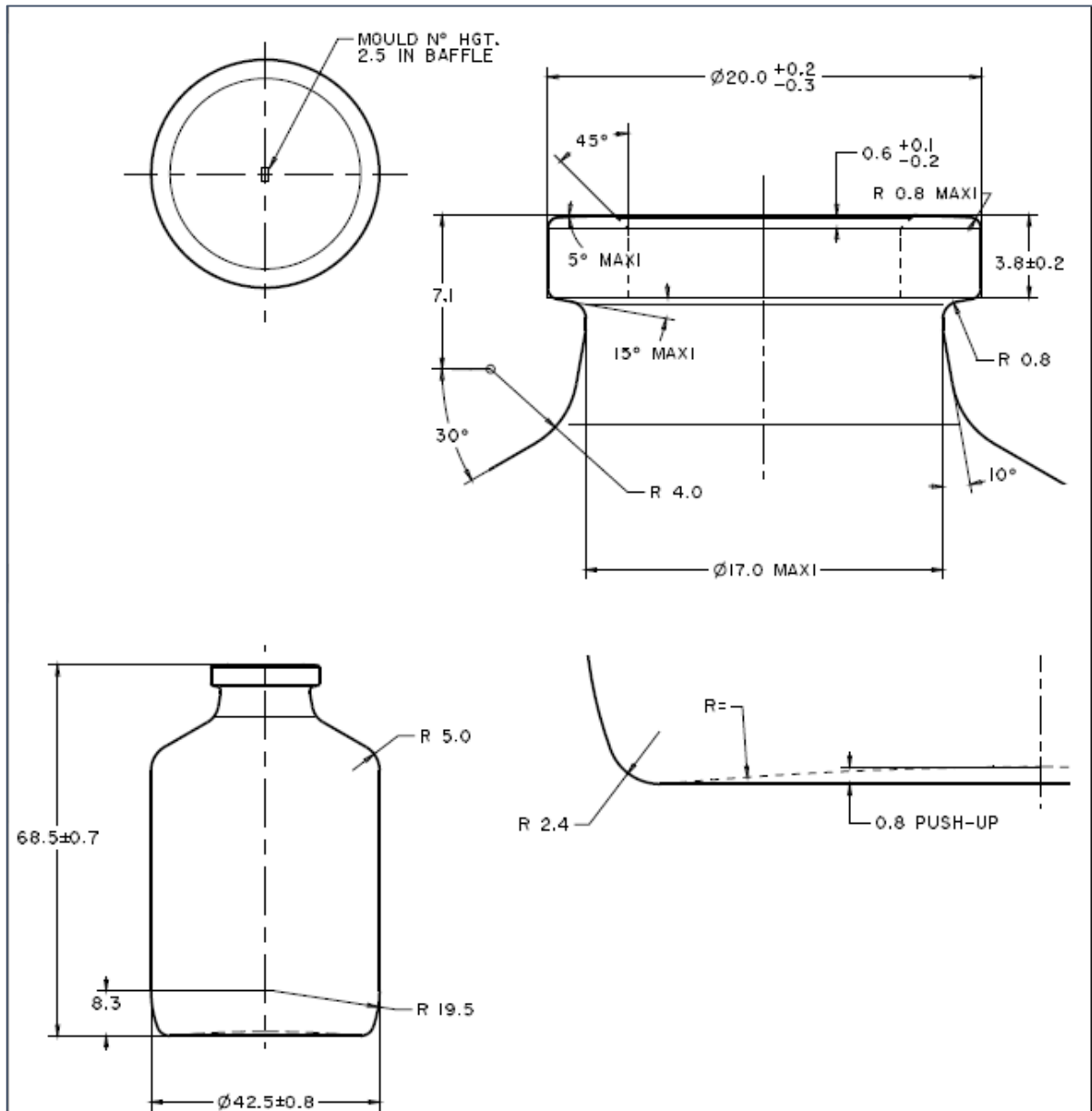
Box

Material	Alveolar PP
Dimension	788 x 235 x h345 mm
Net weight	8.23 kg
Gross weight	10.76 kg
Layer per box	3
Tray per box	6
Vials per box	168
Boxes per layer	5

Pallet

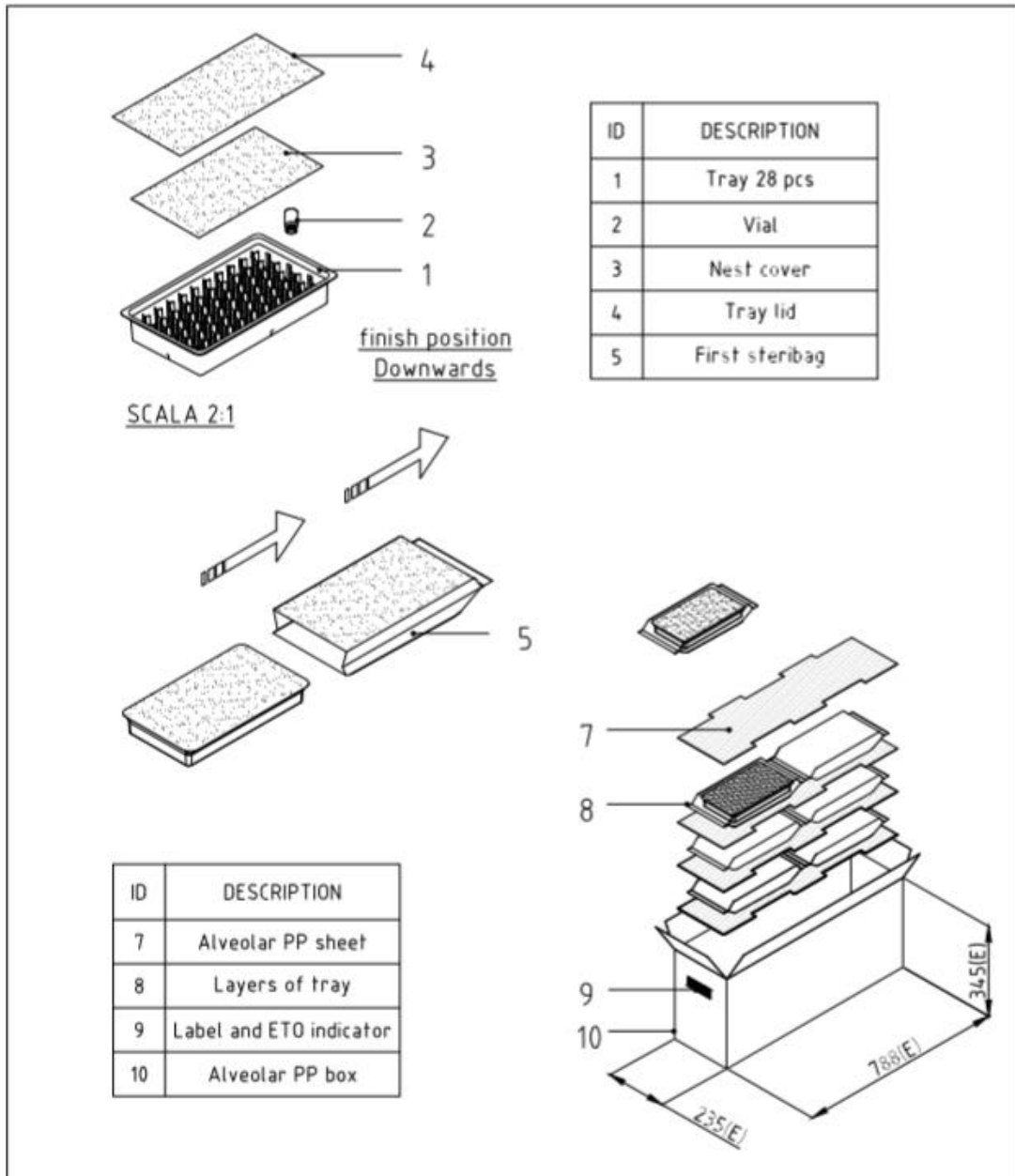
Material	Wood
Dimension	800 x 1200 x h1880 mm
Net weight	205.8 kg
Gross weight	292 kg
Layers per pallet	5
Boxes per pallet	25
Vials per pallet	4 200

APPENDIX 1: VIALS DRAWING

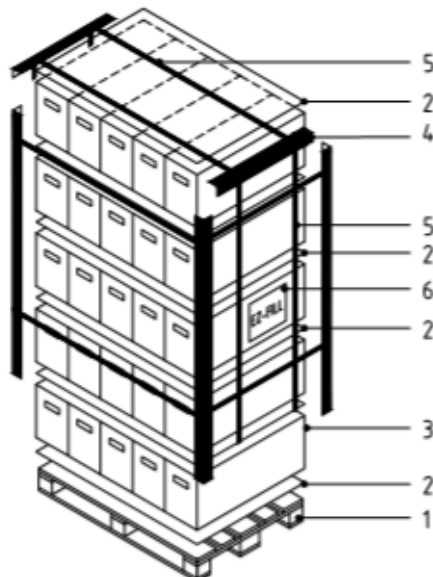


E						
D						
C						
B	24-01-12	T.C.	ANNULE ET REMPLACE INDICES 01 ET 02	20560	03	
0	10-10-11	T.C.		20560	03	
REP	DATE	NOTE	MODIFICATIONS	MOULD NO	INDEX	
NECK FINISH ISO 20 8362-4			APPROX. WEIGHT: 49	GRAMMES		MOULD 20560
ϕ OPENING: 12.4 MIN SUR 7.5 MM 12.8 MAXI ON 1 MM DEPTH			BRIMFUL CAPACITY: 58	cc \pm 2 cc		
ϕ I DIMENSION MIN: 11,5						
	THIS DRAWING IS THE PROPERTY OF SGD AND CANNOT BE COPIED OR COMMUNICATED WITHOUT AUTORIZATION				MACHINE :	
	EASY LYO 50 ML				DATE: 10-10-11	
					E.D.	<input checked="" type="checkbox"/> B
				78098		


APPENDIX 2: SECONDARY PACKAGING SCHEME



Rev.	Notes	Signature	Dates	Dimensions without tolerances ISO 2768-MK				
00		Made by	PTN 17/10/2017 13:53	Tolerances basing on ISO 8015				
		Approv. by	YSI 18/10/2017 16:07	Format	Unit		Scale	
		Made by		A4	mm		1:20	
		Approv. by		Ex		Lang.	EN	
		Material:		Code	Version	Rev.		
		Description	PRIMARY PACKAGING SCHEME	SC04143	A	00		
Ompi is a brand of Stevanato Group S.p.A.		This document is property of Stevanato Group S.p.A. - All rights reserved - Copy prohibited without written permission					MOD 011-06	



ID	DESCRIPTION
1	Wooden pallet
2	Alveolar PP sheet
3	Layers of 5 boxes
4	Cardboard corners
5	Strapping as figure
6	Labels on the short sides

Rev.	Notes	Signature	Dates	Dimensions without tolerances ISO 2768-vK			
00	First edition	Made by	PTN	09/06/2016	Tolerances basing on ISO 8015		
		Approv. by	AFE	09/06/2016	Format	Unit	Scale
		Made by			A4	mm	1:40
		Approv. by			Ex	Lang.	EN
		Material: Description SECONDARY PACKAGING SCHEME		Code	Version	Rev.	
				PA04100	A	00	
<small>Ompi is a brand of Stevanato Group S.p.A.</small>		<small>This document is property of Stevanato Group S.p.A. - All rights reserved - Copy prohibited without written permission</small>					<small>MOD 011-06</small>