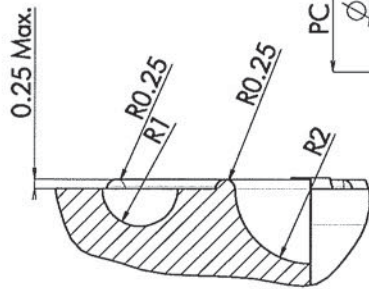
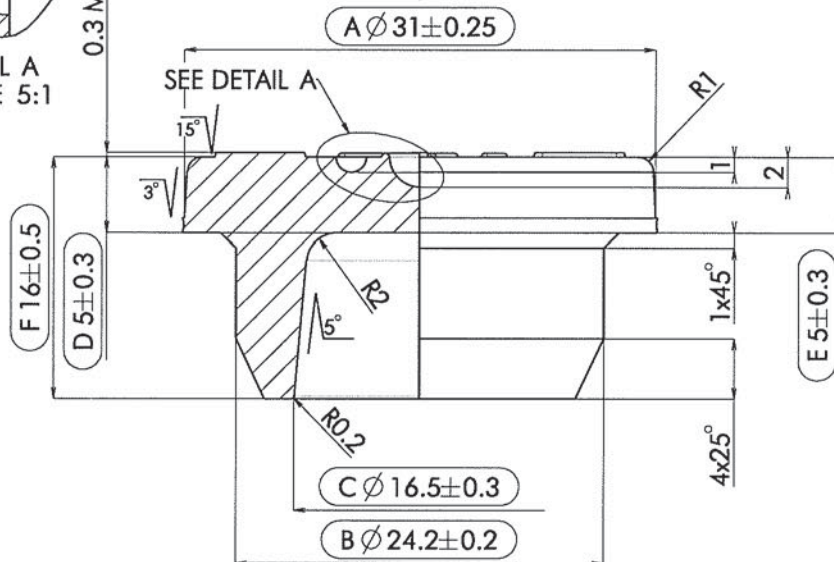
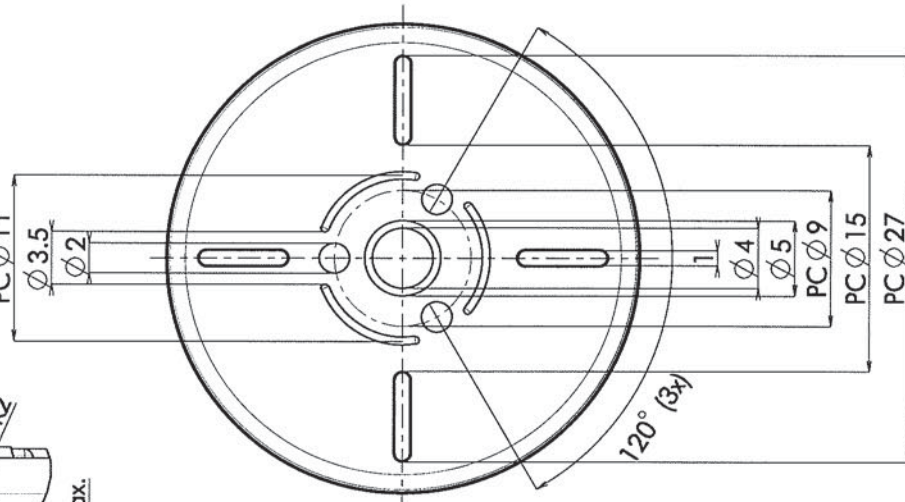


STOPPER
PRODUCT NUMBER
V9003


SCALE 1:1


 DETAIL A
SCALE 5:1


Printed copies will not be systematically updated

		<i>br</i>	FM257 Omniflex	Ø 31.0	Ø 24.2	Ø 16.5	5.0	5.1	16.0		
DIMENSIONS	Jan 01,'03	<i>br</i>	FM240	Ø 30.85	Ø 24.1	Ø 16.5	5.0	5.0	16.0		
	DATE	CHECKED	Deviating compounds mentioned above.	A	B	C	D	E	F	G	H
Units are in mm All edges not specified: R0.2mm (.008Inch)											
MODIFICATIONS	NR	OBJECTS OF MODIFICATION				DATE	TRACED	CHECKED	AUTHORIZED		
	2	Converted to new drw-format				May 21,'10	PD	<i>[Signature]</i>			
	1	Updated to currend CAD standard				Aug 18,'06	RT-2	RT			
DRAWING	TRACED	RT-2	DATE	Aug 18,'06	CHECKED	<i>15 June, 2010</i>		INITIALS	<i>[Signature]</i>		SCALE 2:1
	DERIVED FROM DRAWING						DATED			PROJECTION	
	REPLACES PRODUCT DRAWING						V9003			DATED Aug 25,'06	
VALIDITY	VALID FROM <i>June 23, 2010</i>			AUTHORIZED BY <i>[Signature]</i>			SIGNATURE <i>[Signature]</i>				