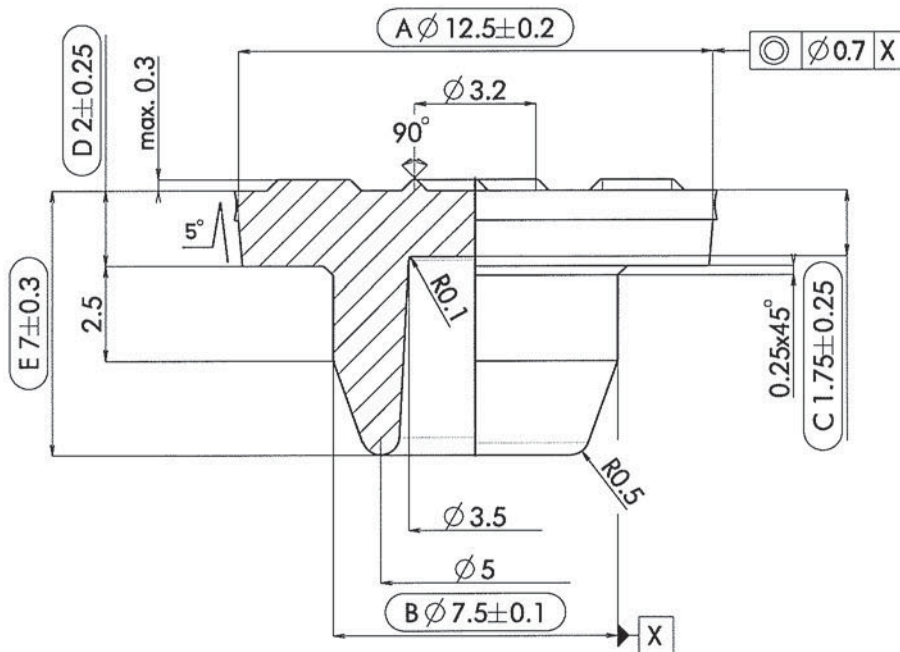
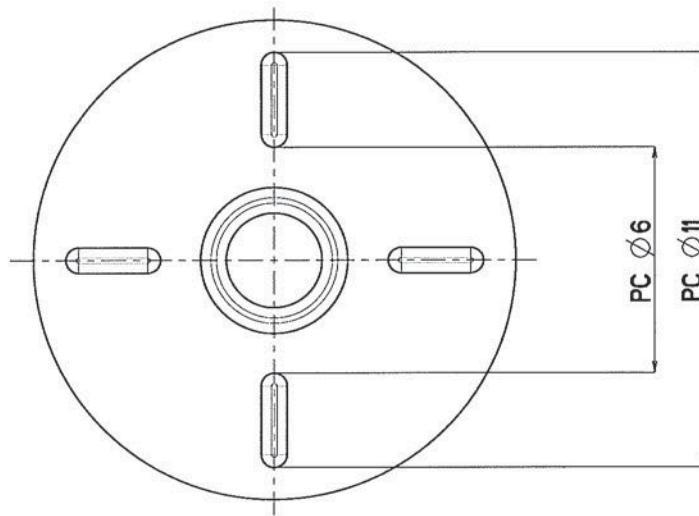


STOPPER
PRODUCT NUMBER
V9024


SCALE 1:1



DIMENSIONS	May 23,'96	<i>[Signature]</i>	FM240	Ø 12.45	Ø 7.5	1.75	2.0	7.0			
	DATE	CHECKED	Deviating compounds mentioned above.	A	B	C	D	E	F	G	H

 Units are in mm
 All edges not specified: R0.2mm (.008inch)

MODIFICATIONS	NR	OBJECTS OF MODIFICATION	DATE	TRACED	CHECKED	AUTHORIZED							
	2	Converted to new drw-format	May 21,'10	PD	<i>[Signature]</i>								
	1	Modified product name + updated CAD standard	Sep 21,'06	RT-2	<i>[Signature]</i>								
DRAWING	TRACED	RT-2	DATE	Sep 21,'06	CHECKED	15 June, 2010	INITIALS	<i>[Signature]</i>	FILE REF.	-	SCALE	5:1	
	DERIVED FROM DRAWING				DATED		PROJECTION						
	REPLACES PRODUCT DRAWING				V9024		DATED		Sep 29,'06				
VALIDITY	VALID FROM			Jun 23, 2010			AUTHORIZED BY		RT		SIGNATURE		<i>[Signature]</i>

This drawing is the property of Datwyler and may not be copied nor disclosed to third parties without our written consent.
 Dimensions without tolerance indication correspond to DIN-ISO 3302 Class M3. Cut or punched edges can be slightly conical, excentric and/or variable.

Printed copies will not be systematically updated