

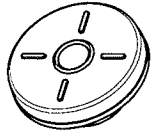


DATWYLER

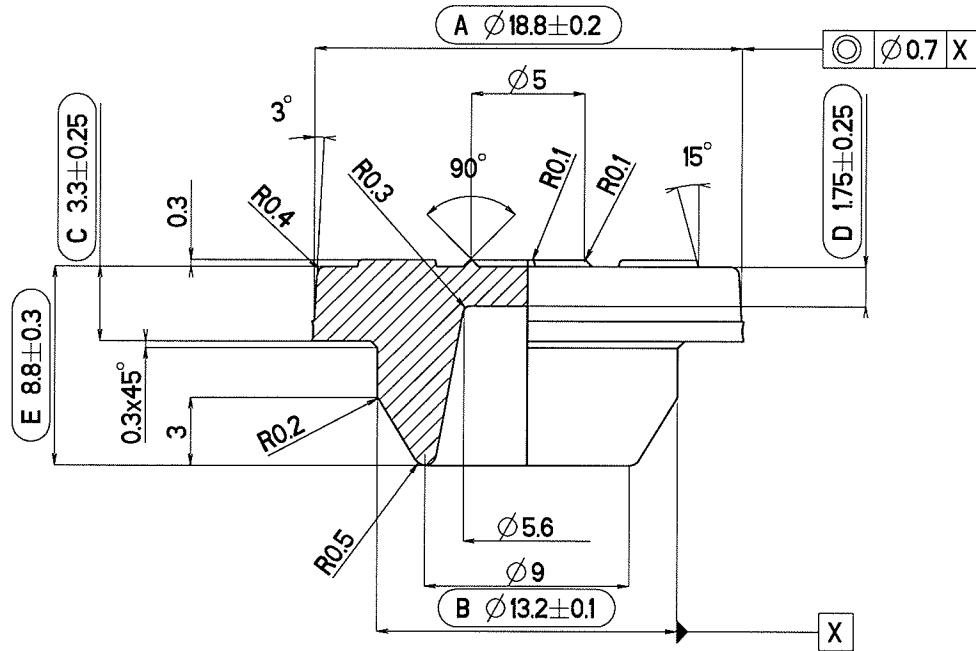
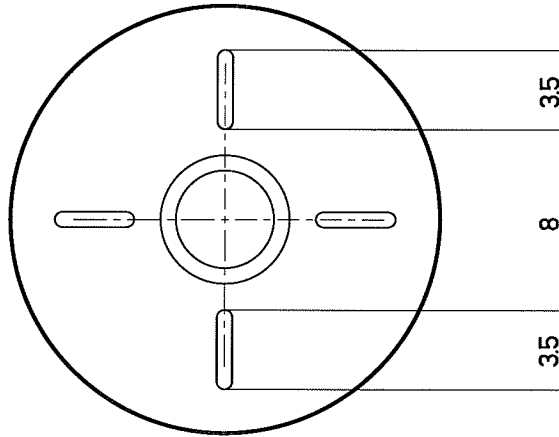
STOPPER

PRODUCT NUMBER

V9025



SCALE 1:1



DIMENSIONS	Apr 06,'04		FM 240	Ø 18.7	Ø 13.15	3.3	1.75	8.8			
	DATE	CHECKED	All compounds except above mentioned	A	B	C	D	E	F	G	H

All edges not specified: R0.2mm (.008inch)

MODIFICATIONS	NR	OBJECTS OF MODIFICATION	DATE	TRACED	CHECKED	AUTHORIZED
	3	Removed max. Trimdiameter	Jan 26,'12	LBAU		
	2	Converted to new drw-format	Jun 18,'10	TCUY		

DRAWING	TRACED	KV-1	DATE	Apr 06,'04	CHECKED	<i>Jan. 26, 2012</i>	INITIALS	<i>J.R.Z.</i>	FILE REF.	-	SCALE	3:1
	DERIVED FROM DRAWING				-				DATED	-	PROJECTION	
	REPLACES PRODUCT DRAWING				V9025				DATED	Apr 19,'04		

VALIDITY	VALID FROM	<i>Jan 26, 2012</i>	AUTHORIZED BY	<i>B JON</i>	SIGNATURE	
----------	------------	---------------------	---------------	--------------	-----------	--

This drawing is the property of Datwyler and may not be copied nor disclosed to third parties without our written consent. Dimensions without tolerance indication correspond to DIN-ISO 3302 Class M3. Cut or punched edges can be slightly conical, excentric and/or variable.

Printed copies will not be systematically updated