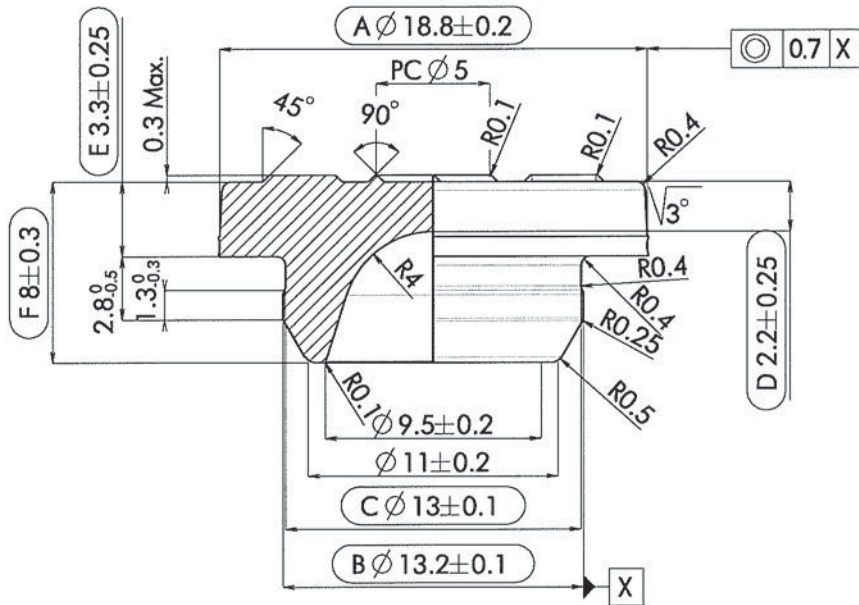
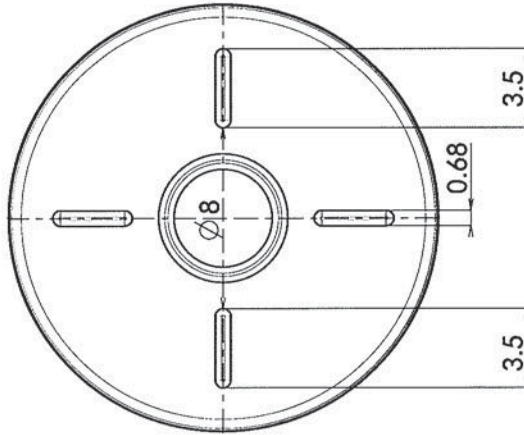



STOPPER
PRODUCT NUMBER
V9048


SCALE 1:1

DIMENSIONS	May 07,'96	<i>bc</i>	FM240	φ 18.7	φ 13.15	φ 13.0	2.2	3.3	8.0		
					±0.2	±0.1	±0.1	±0.25	±0.25	±0.3	
	Nov 10,'06	<i>bc</i>	FM259OmniflexPlus	φ 18.7	φ 13.15	φ 12.95	2.2	3.3	8.0		
				±0.2	±0.15	±0.15	±0.25	±0.25	±0.3		
DATE	CHECKED	All compounds except above mentioned		A	B	C	D	E	F	G	H

All edges not specified: R0.2mm (.008inch)						
MODIFICATIONS	NR	OBJECTS OF MODIFICATION	DATE	TRACED	CHECKED	AUTHORIZED
	2	Compound FM257Omniflex replaced by FM259OmniflexPlus	Nov 10,'06	RT-1	<i>[Signature]</i>	
	3	Converted to new draw-format	May 21,'10	PD	<i>[Signature]</i>	

DRAWING	TRACED	KV-2	DATE	Oct 30,'03	CHECKED	23 June, 2010	INITIALS	<i>[Signature]</i>	FILE REF.	SCALE	3:1
DERIVED FROM DRAWING									DATED	PROJECTION	
REPLACES PRODUCT DRAWING	V9048								DATED	Nov 14,'06	

VALIDITY	VALID FROM	June 23, 2010	AUTHORIZED BY	<i>RJ</i>	SIGNATURE	<i>[Signature]</i>
----------	------------	---------------	---------------	-----------	-----------	--------------------

Printed copies will not be systematically updated

This drawing is the property of Datwyler and may not be copied nor disclosed to third parties without our written consent. Dimensions without tolerance indication correspond to DIN-ISO 3302 Class M3. Cut or punched edges can be slightly conical, excentric and/or variable.