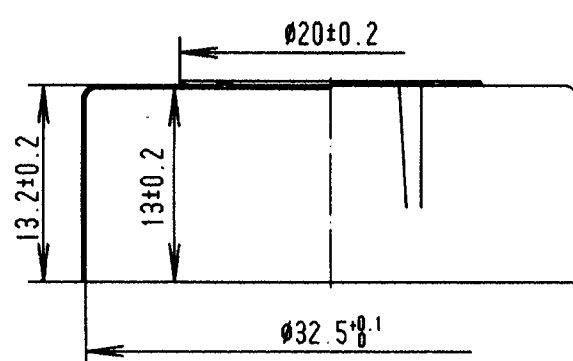
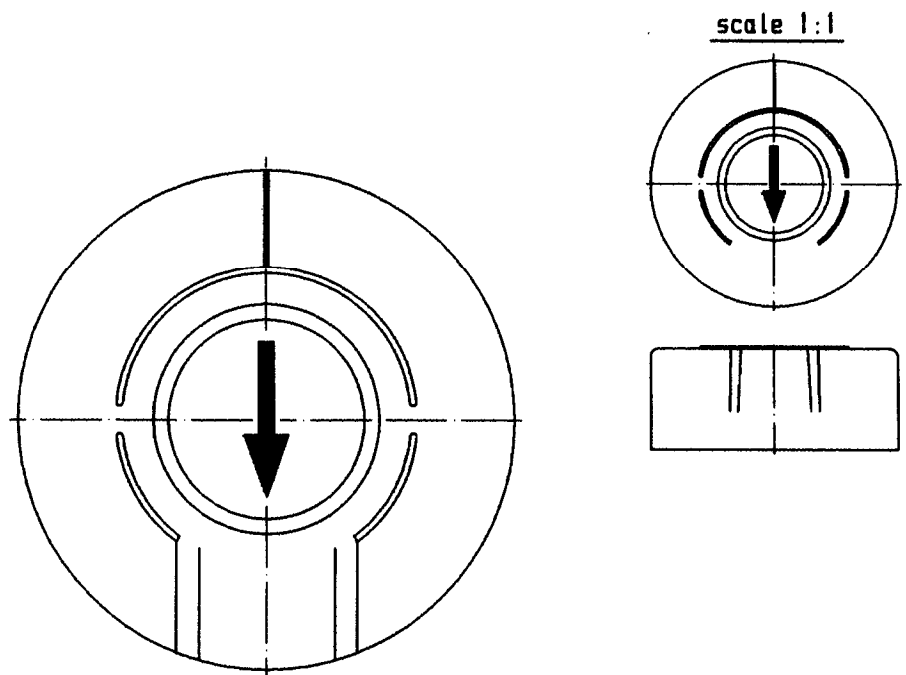



DESCRIPTION: All alu-cap	CUSTOMER DRAWING	PRODUCT NUMBER: ST032.0006 Product Number old: AG3229
--------------------------	------------------	--



PARTS LIST	pos.	ref.no.	description	material	remarks	MODIFICATION	index	modification	date	name
							B	general revision	15.09.05	Gilpert
							A	total revision	24.03.05	Gilpert
DRAWING	TRACED: Gilpert		DATE: 15.09.05	CHECKED DATE 21.9.05		SIGNATURE: <i>C. Wajda</i>	SCALE: 2:1, 1:1			
	DERIVED FROM DRAWING AG3229 (HPD)			DATED 15.10.03	FILE-REF. (CAD-no.) P71K		PROJECTION:			
	REPLACES PRODUCT DRAWING -----			DATED -----	MATERIAL: AL (0.20±0.02)					
VALIDITY	VALID DATE 19.09.05			AUTHORIZED by <i>[Signature]</i>		SIGNATURE <i>Amschlunger</i>				

This drawing is the property of Datwyler and may be not be copied nor disclosed to third parties without our written consent.  
 Dimensions without tolerance indication correspond to ISO 2768 m. Cut or punched edges can be slightly conical, excentric and/or variable.

Printed Copies will be not automatically updated !