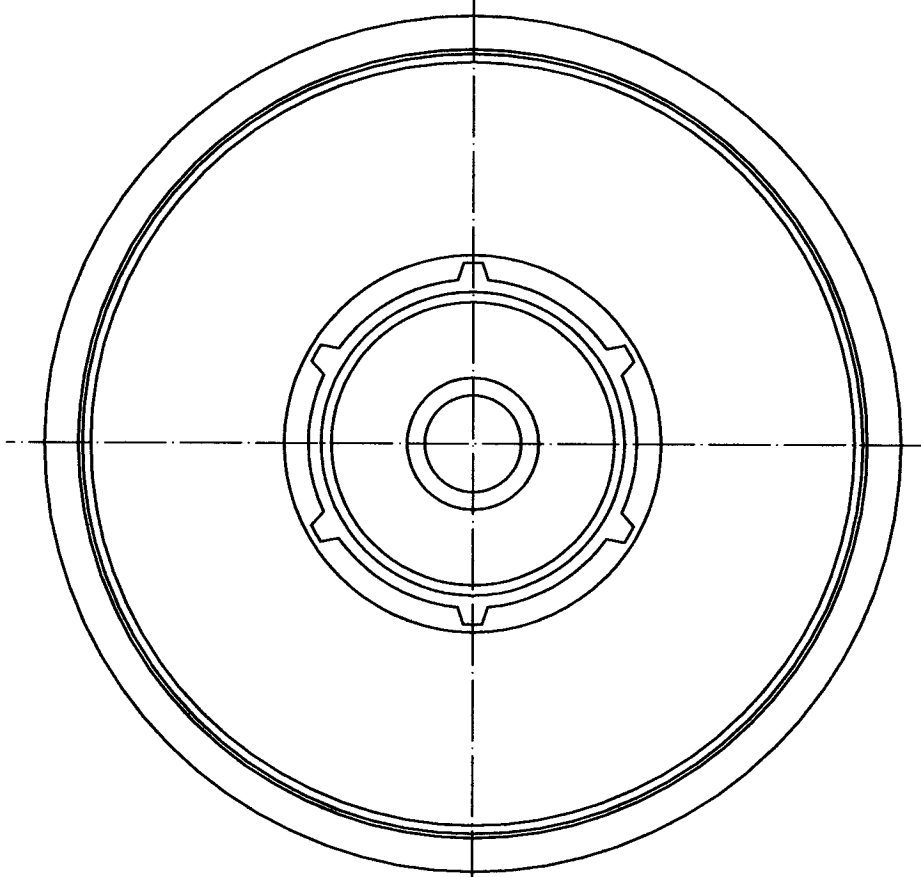
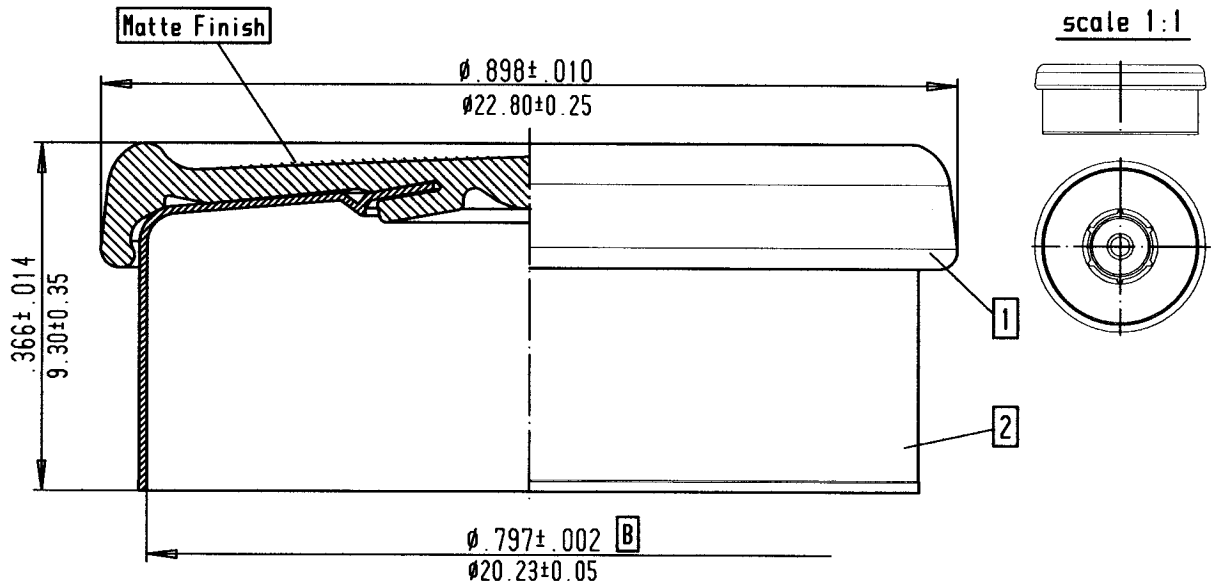
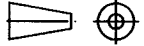


<b>DESCRIPTION:</b> Flip-Bridge-Cap	<b>CUSTOMER DRAWING</b>	<b>PRODUCT NUMBER:</b> FBC20.0001 Product Number old: -----
-------------------------------------	-------------------------	--



PARTS LIST	pos.	ref.no.	description	material	remarks	MODIFICATION	index	modification	date	name
	2	AHC20.0065	All alu-cap	AL (0.20±0.02) / (.008±.0008)		B		change tolerance pos.2 ±.004 in ±.002	03.12.15	Gilpert
	1	PD20.0047	plastic disc	PP		A		first drawing	08.04.15	Gilpert

<b>DRAWING</b>	TRACED: Gilpert DATE: 03.12.15 CHECKED DATE 04.12.2015 SIGNATURE: <i>Annchen</i> SCALE: 5:1, 1:1		
	DERIVED FROM DRAWING ----- DATED ----- FILE-REF. (CAD-no.) R1494K		PROJECTION: 
	REPLACES PRODUCT DRAWING -----	DATED -----	MATERIAL: -----
<b>VALIDITY</b>	VALID DATE 04.12.2015	AUTHORIZED by <i>RD IT</i>	SIGNATURE <i>Ralf Orth</i>

Printed copies will not be automatically updated!

This drawing is the property of Datwyler and may be not be copied nor disclosed to third parties without our written consent.  
 Dimensions without tolerance indication correspond to ISO 2768 m. Cut or punched edges can be slightly conical, excentric and/or variable.