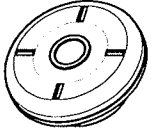




SERUM STOPPER

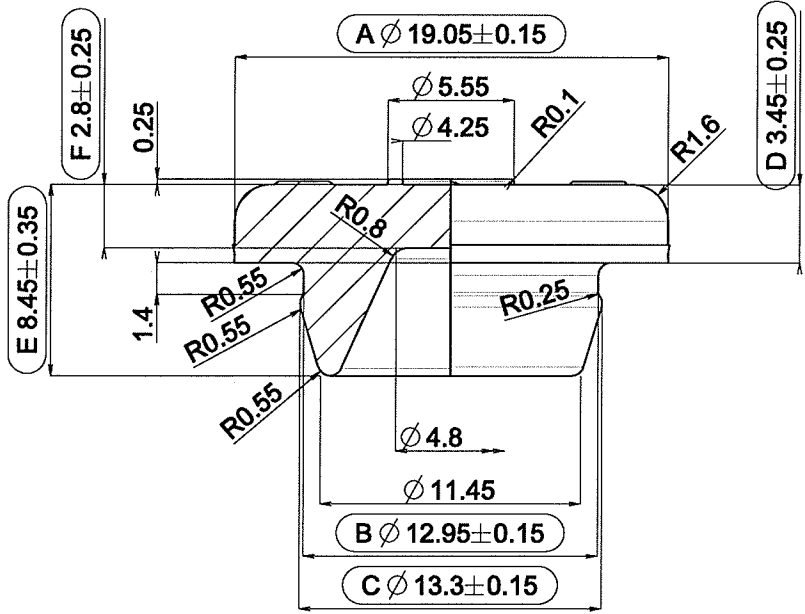
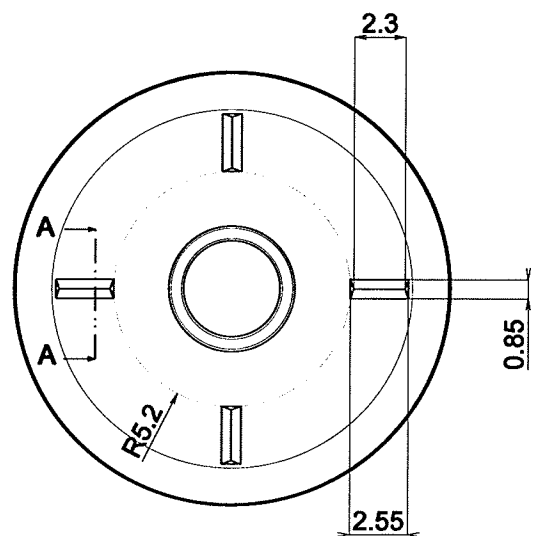
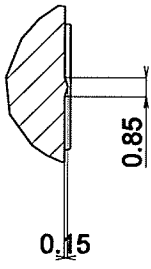
PRODUCT NUMBER

V9214



SCALE 1:1

SECTION A-A



Units are in mm
All edges not specified: R0.2mm (.008inch)

| | | | | | | | | | | | | |
|---------------|--------------------------|--|--------------------------------------|--------------------|--------------|---------------|--------------|--------------|--------------|------------|-----|--|
| DIMENSIONS | May 20,'96 | | FM240 | $\phi 18.95$ | $\phi 12.90$ | $\phi 13.3$ | 3.45 | 8.45 | 2.80 | | | |
| | DATE | CHECKED | Deviating compounds mentioned above. | A ± 0.15 | B ± 0.15 | C ± 0.15 | D ± 0.25 | E ± 0.35 | F ± 0.25 | G | H | |
| MODIFICATIONS | NR | OBJECTS OF MODIFICATION | | | | DATE | TRACED | CHECKED | AUTHORIZED | | | |
| | 1 | Conversion to new CAD system+format layout updated | | | | Oct 21,'11 | ASIM | | | | | |
| DRAWING | TRACED | FTV-2 | DATE | Jan 22, '97 | CHECKED | Nov. 10, 2011 | INITIALS | FILE REF. | - | SCALE | 3:1 | |
| | DERIVED FROM DRAWING | | | | | | - | DATED | - | PROJECTION | | |
| | REPLACES PRODUCT DRAWING | | | | | | V9214 | DATED | Jan 22, '97 | | | |
| VALIDITY | VALID FROM Jan 06, 2012 | | | AUTHORIZED BY B20U | | | SIGNATURE | | | | | |

This drawing is the property of Datwyler and may not be copied nor disclosed to third parties without our written consent. Dimensions without tolerance indication correspond to DIN-ISO 3302 Class M3. Cut or punched edges can be slightly conical, excentric and/or variable.

Printed copies will not be systematically updated