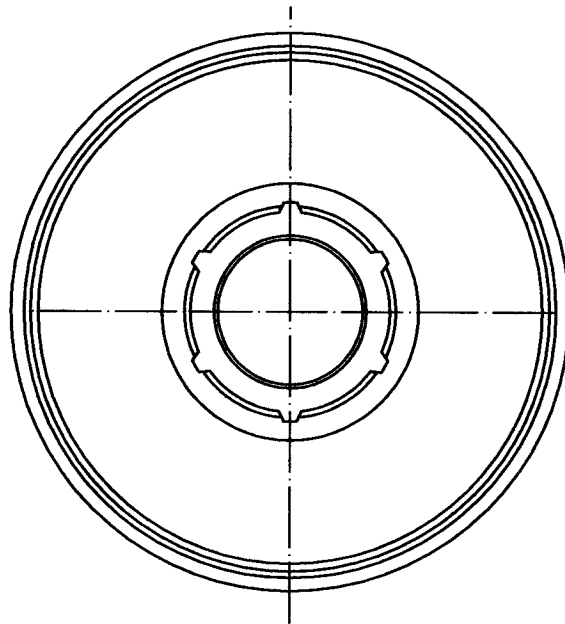
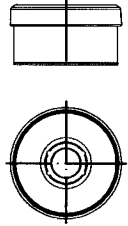
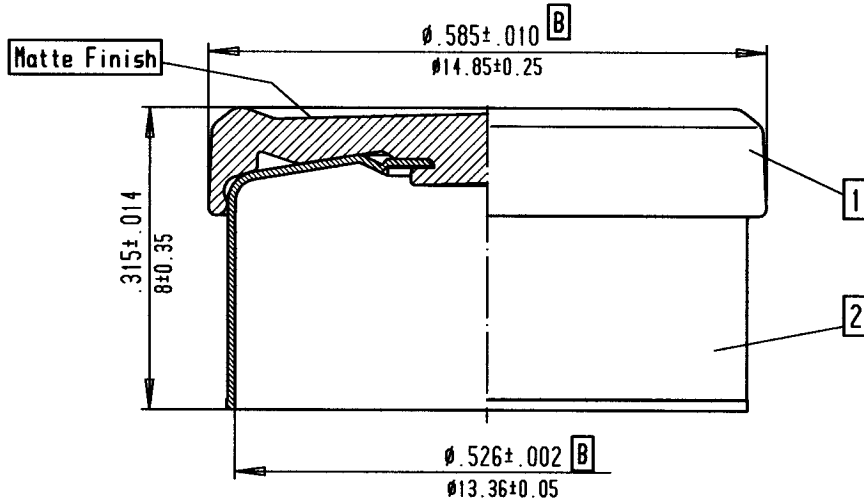


DESCRIPTION: Flip-Bridge-Cap

CUSTOMER DRAWING

PRODUCT NUMBER: FBC13.0001  
Product Number old: -----

scale 1:1



PARTS LIST	pos.	ref.no.	description	material	remarks	MODIFICATION	index	modification	date	name
	2	AHC13.0023	All alu-cap	AL (0.20±0.02)/(0.008±.0008)				B	change tolerance pos.2 +.004 in ±.002. correction tolerance pos.1 ±.002 in ±.010.	03.12.15
1	PD13.0021	plastic disc	PP			A	first drawing	30.03.15	Gilpert	

DRAWING	TRACED: Gilpert DATE: 03.12.15			CHECKED DATE 04.12.2015		SIGNATURE <i>Franklin Jr</i>		SCALE: 5:1, 1:1	
	DERIVED FROM DRAWING -----			DATED -----		FILE-REF. (CAD-no.) A14874			PROJECTION:
	REPLACES PRODUCT DRAWING -----			DATED -----		MATERIAL: -----			
VALIDITY	VALID DATE 04.12.2015			AUTHORIZED by RDIT		SIGNATURE <i>Paul Giff</i>			

This drawing is the property of Datwyler and may not be copied nor disclosed to third parties without our written consent. Dimensions without tolerance indication correspond to ISO 2768 m. Cut or punched edges can be slightly conical, excentric and/or variable.

Printed copies will not be automatically updated!