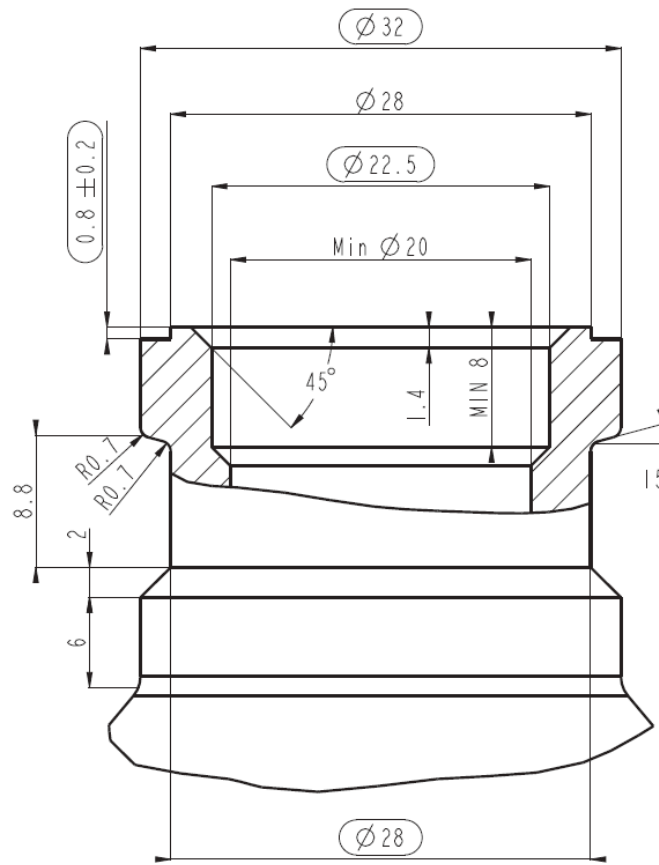
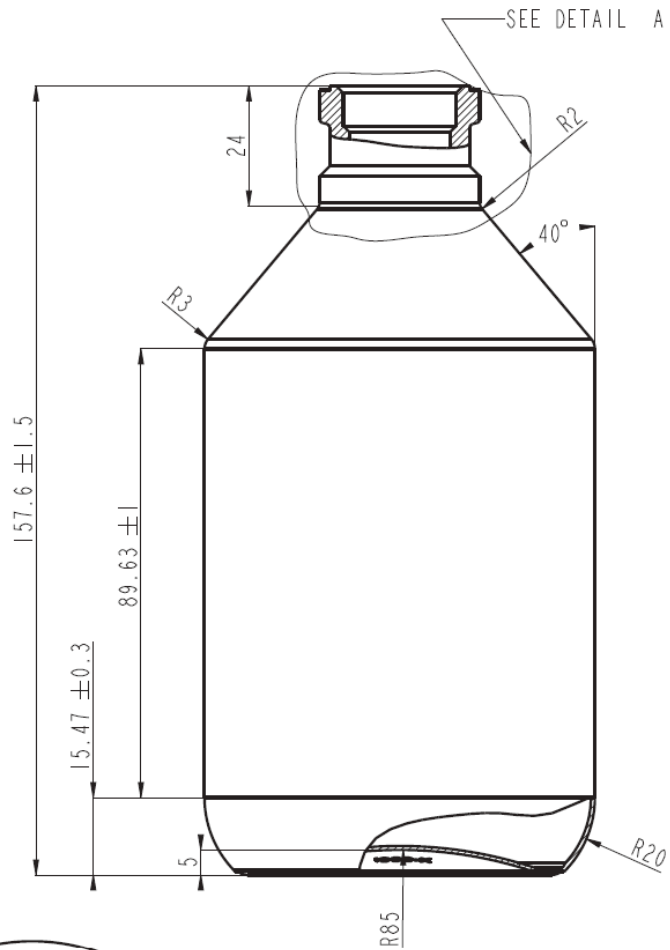
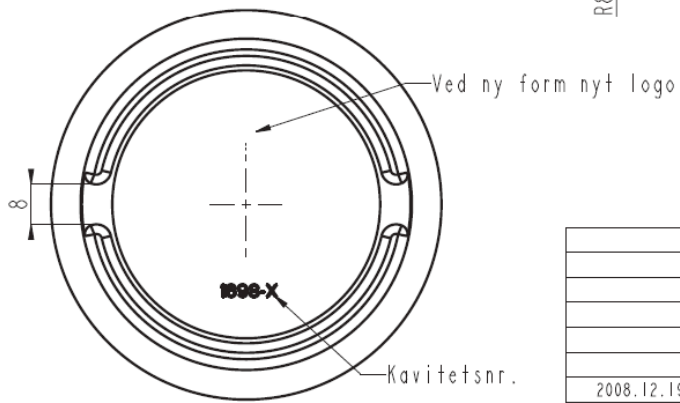


SECTION A-A
SCALE 1:1



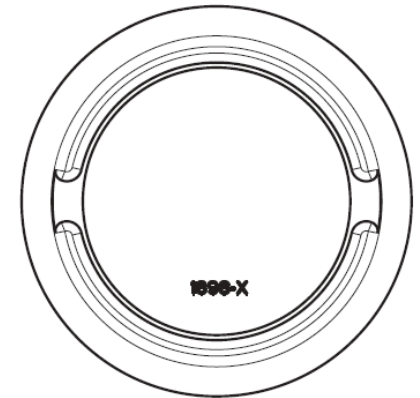
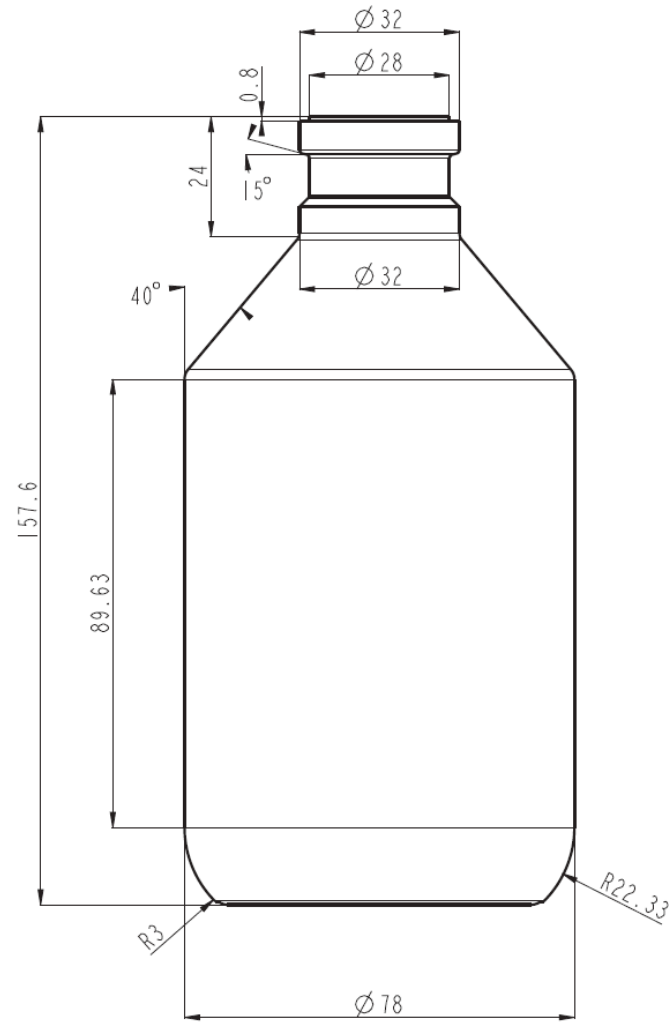
DETAIL A
SCALE 3:1



2008.12.19	CR 1408	MU/KIHA
REVISION	CHANGE REQUEST	SIGNATUR

Over size	Upper (lower) range value	Tolerance ±
0,5 mm	6 mm	0,1
6 mm	30 mm	0,2
30 mm	120 mm	0,3

DATE	2008.12.18	TEXT	500ml Injektionsflaske
SDR.	MU/KIHA	FORM NO	1698
SCALE	1:1	VARC NO	



			DATE	20081103	TEXT	500ml Injektionsflaske
			SYM.	KIHA	FORM NO	1698
			SCALE	1:1	VARIE NO	
REVISION	CHANGE REQUEST	SIGNATUR				