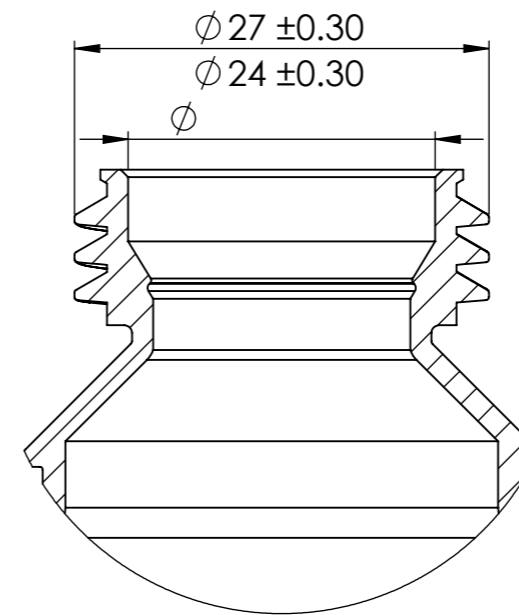
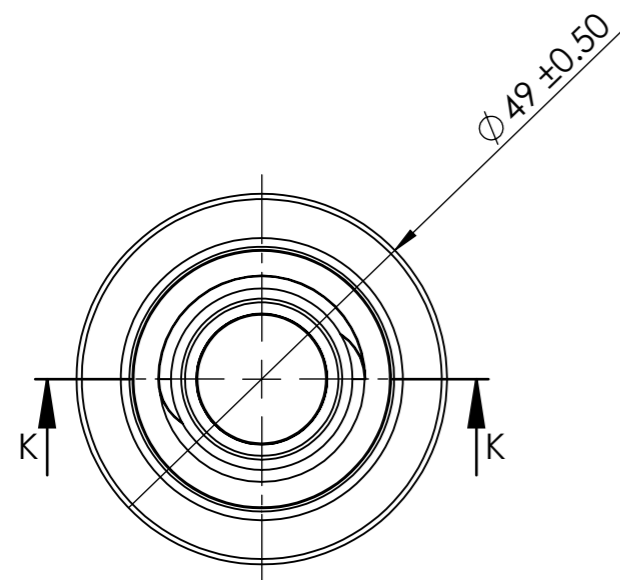
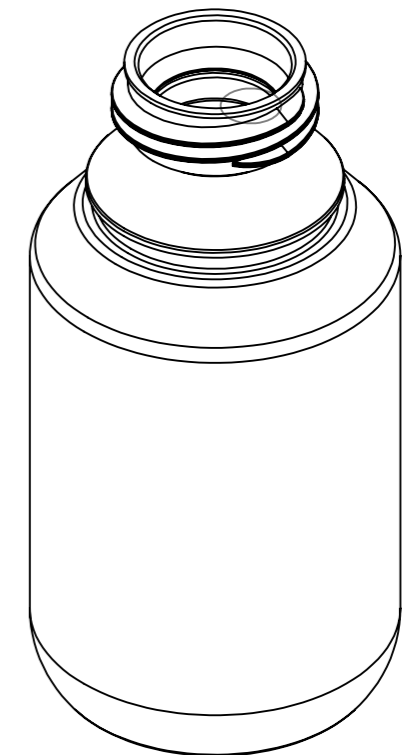


SECTION K-K



DETAIL L  
 SCALE 2 : 1



		UNLESS OTHERWISE SPECIFIED: DIMENSIONS ARE IN MILLIMETERS		<b>FLAVER AG</b> Seewenweg 6 4153 Reinach Switzerland		DO NOT SCALE DRAWING		REVISION: 04	
		PROPRIETARY AND CONFIDENTIAL							
		Material: PP		Code: IVS270100NP		TITLE: 100ml Infusion Bottle			
		Weight: 19gram +/-1		Drawing: HDB-004		Client			
		Brimful: 126ml +/-2		Cleanroom Mnfr		DATE: 06-OCT-2022			