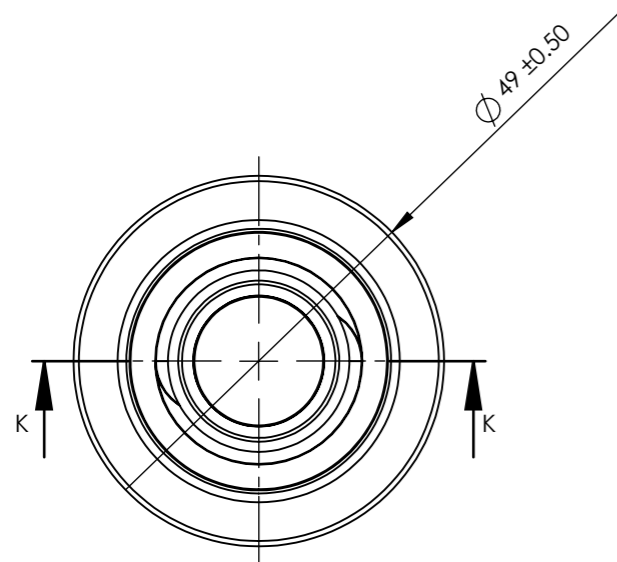
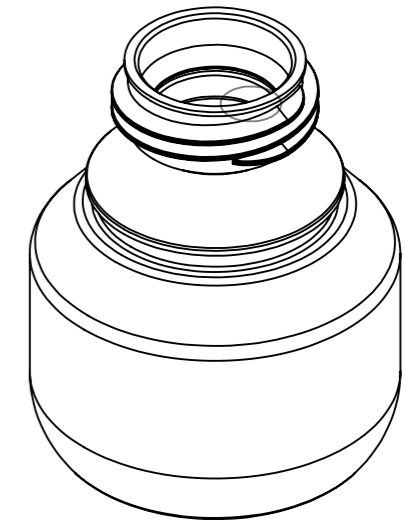
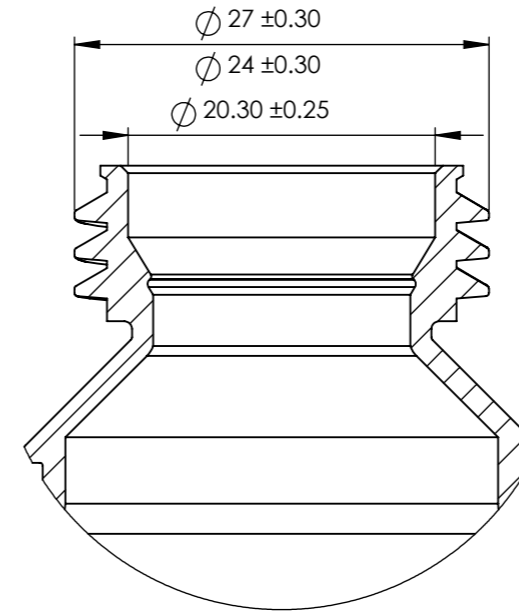


SECTION K-K



		UNLESS OTHERWISE SPECIFIED: DIMENSIONS ARE IN MILLIMETERS		<b>FLAVER AG</b> Seewenweg 6 4153 Reinach Switzerland		DO NOT SCALE DRAWING		REVISION: 04	
		<b>PROPRIETARY AND CONFIDENTIAL</b>							
		MATERIAL: PP		Code: IVS270050NP		TITLE: 50ml Infusion Bottle			
		WEIGHT: 11.8gram +/- 1		Drawing: HDB-002		Client:			
		BRIMFUL 61.0ml +/- 2		Cleanroom Mnfr		DATE		06-OCT-2022	