

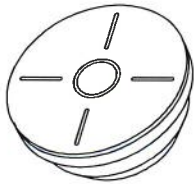


DATWYLER

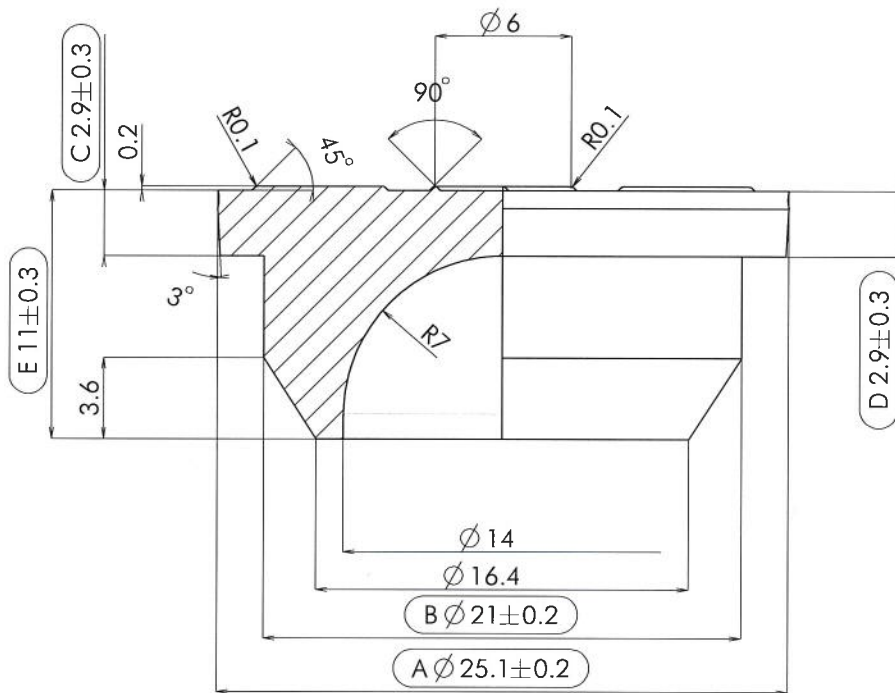
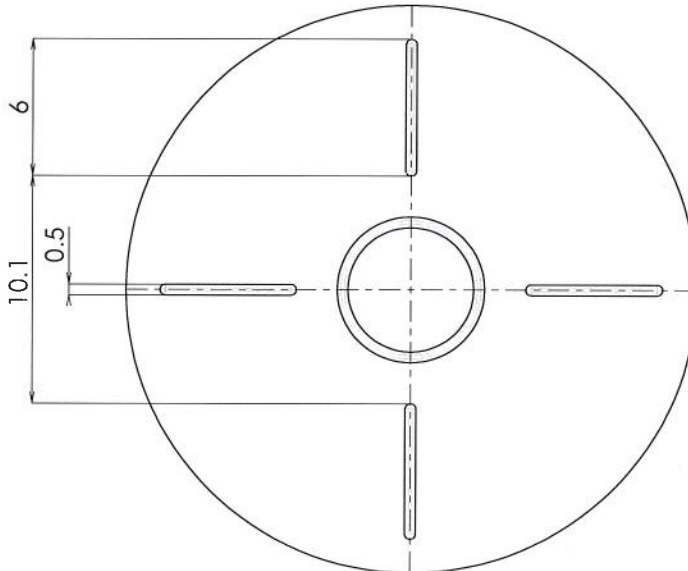
VERAL STOPPER

PRODUCT NUMBER

V9213



SCALE 1:1



Units are in mm

DIMENSIONS	Mar 26,'15		FM140	∅ 25.2	∅ 21.1	2.95	2.95	11.05			
	DATE	CHECKED	All compounds except above mentioned	A	B	C	D	E	F	G	H

All edges not specified: R0.2mm (.008inch)

MODIFICATIONS	NR	OBJECTS OF MODIFICATION	DATE	TRACED	CHECKED	AUTHORIZED
	3	Added compoundline FM140	Mar 26,'15	TCUY		
	2	Converted to new drw-format	May 21,'10	PD		

DRAWING	TRACED	KV-2	DATE	May 06,'04	CHECKED	Mar 26,'15	INITIALS	FILE REF.	SCALE	3:1	
	DERIVED FROM DRAWING							DATED	PROJECTION		
	REPLACES PRODUCT DRAWING							V9213	DATED	May 21,'10	

VALIDITY	VALID FROM	March 26, 2015	AUTHORIZED BY	J. Wudowiczek	SIGNATURE	
----------	------------	----------------	---------------	---------------	-----------	--

This drawing is the property of Datwyler and may not be copied nor disclosed to third parties without our written consent. Dimensions without tolerance indication correspond to DIN-ISO 3302 Class M3. Cut or punched edges can be slightly conical, excentric and/or variable.

Printed copies will not be systematically updated