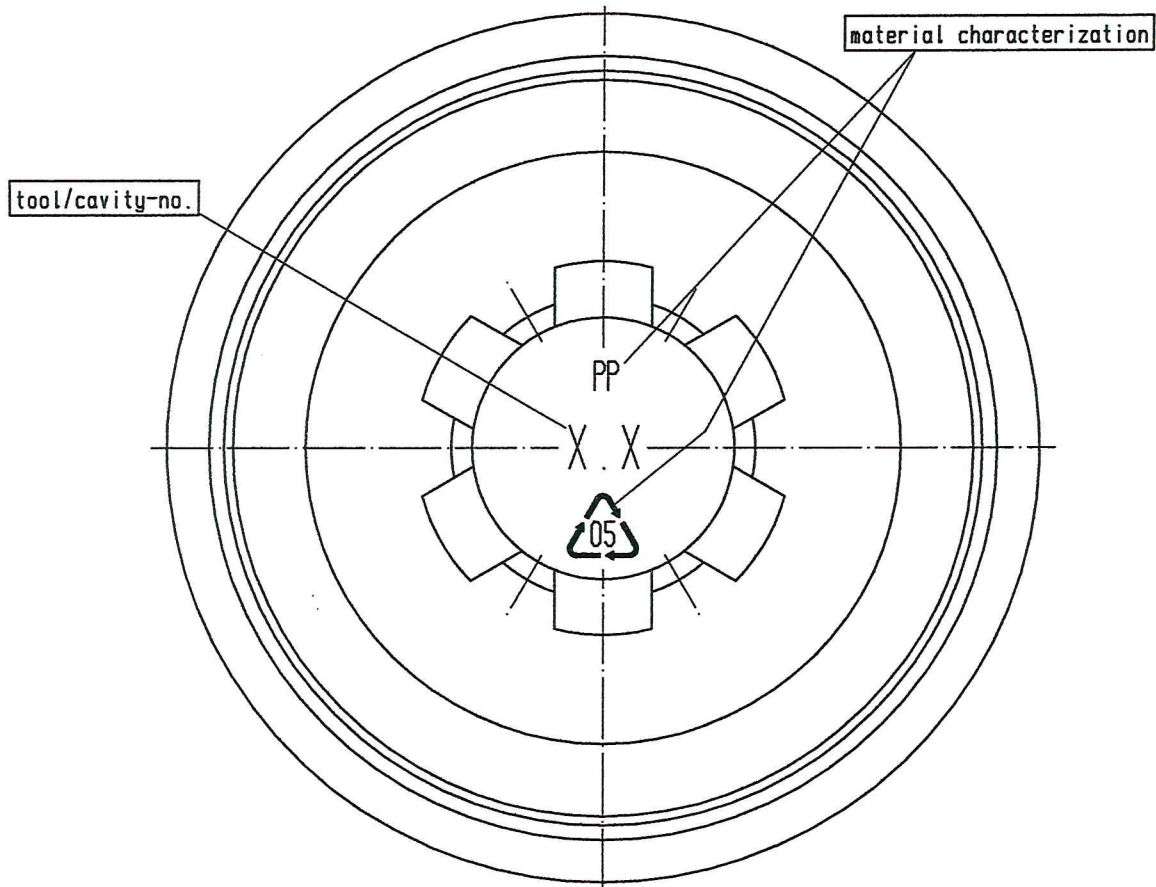
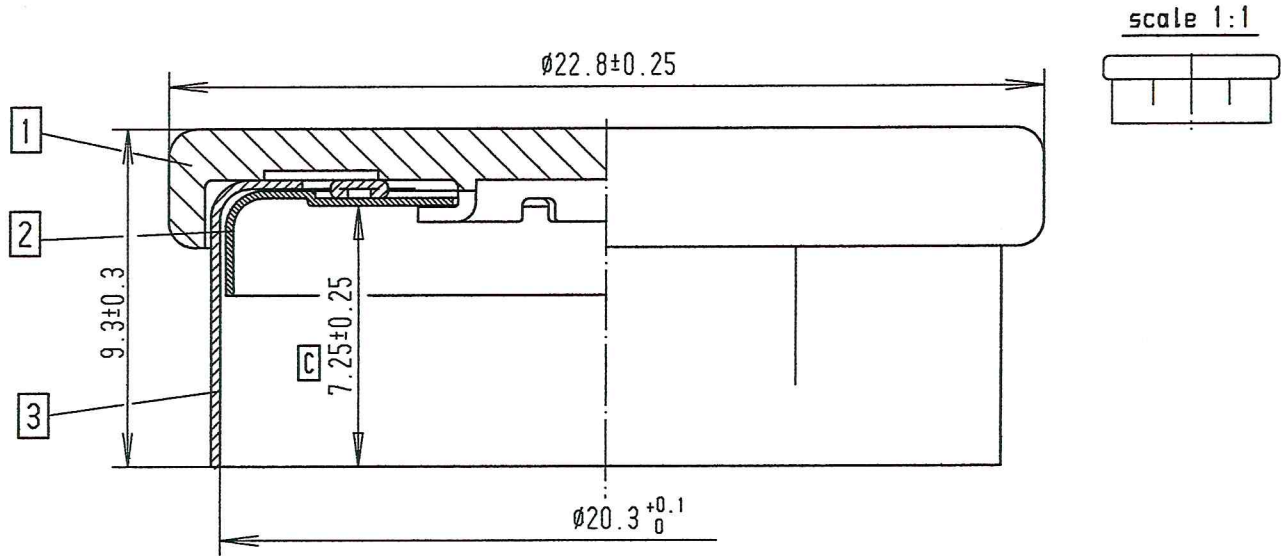


DESCRIPTION: Flip cap      CUSTOMER DRAWING      PRODUCT NUMBER: UT020.0022  
 Product Number old: -----



**E**  
 PP and recycle marks might be present

PARTS LIST	pos.	ref.no.	description	material	remarks	MODIFICATION	index	modification	date	name
	3	ST020.0021	All alu-cap	AL (0.24±0.02)				E	change in the additional text.	05.03.19
2	AHC20.0052	All alu-cap	AL (0.20±0.02)			D	added modification	11.10.18	Gilpert	
1	PD20.0003	plastic disc	PP			C	changed inner-height back from 7.3±0.25 in 7.25±0.25.	17.05.10	Gilpert	
						B	changed inner-height from 7.25±0.25 in 7.3±0.25.	28.01.09	Gilpert	
						A	this drawing originate from UT020.9998.	29.09.06	Gilpert	

TRACED: Gilpert	DATE: 05.03.19	CHECKED DATE: 05.03.2019	SIGNATURE: <i>Amo Chlenger</i>	SCALE: 5:1, 1:1
DERIVED FROM DRAWING: UT020.9998	DATED: 06.09.05	FILE-REF. (CAD-no.): A1356K	PROJECTION:	
REPLACES PRODUCT DRAWING: -----	DATED: -----	MATERIAL: -----		
VALID DATE: 05.03.2019	AUTHORIZED by: <i>RDIT</i>	SIGNATURE: <i>Ralf O...</i>		

Printed copies will not be automatically updated!